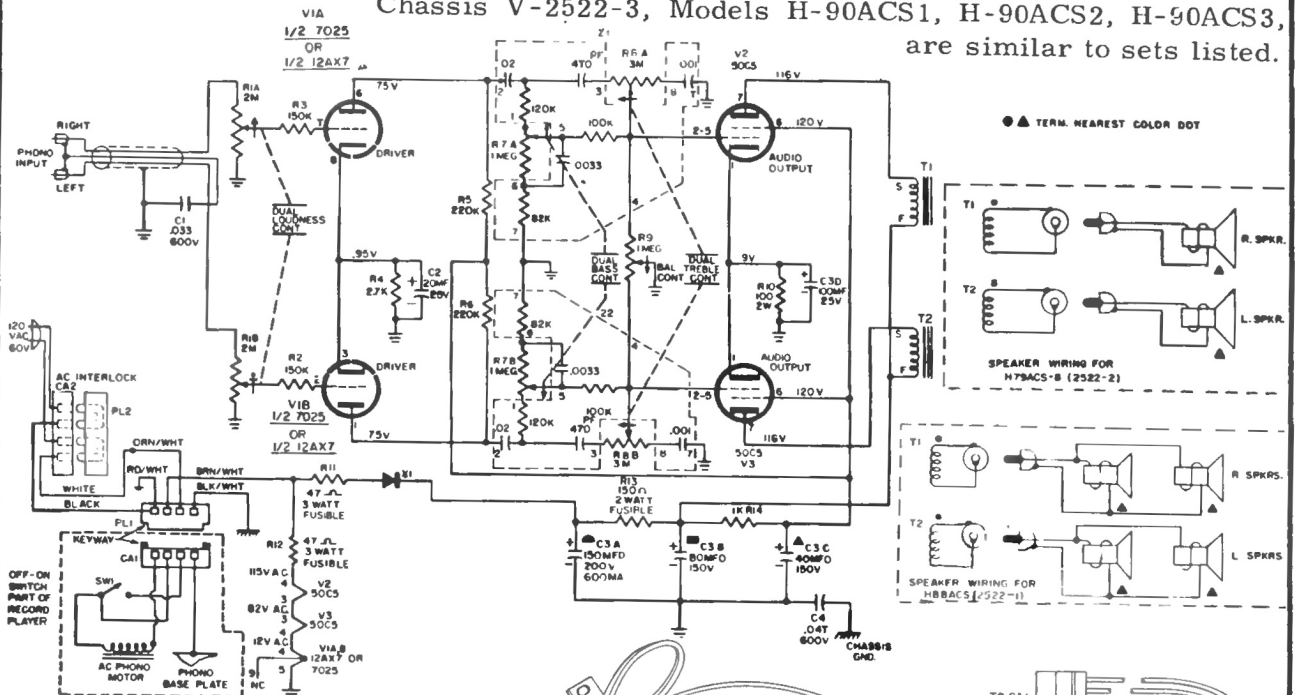
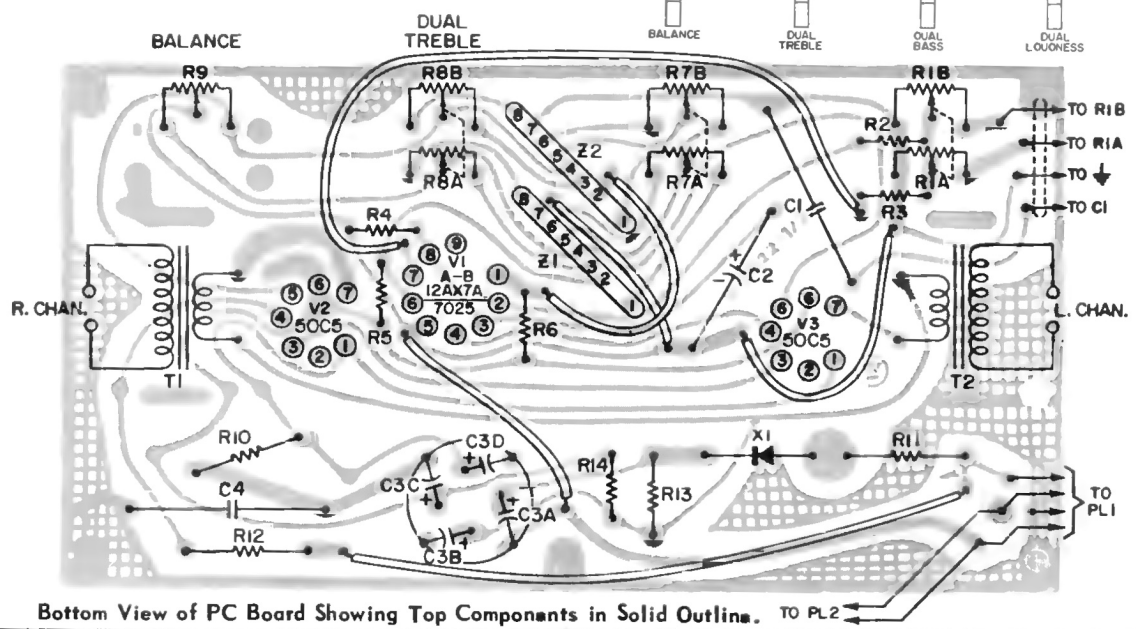
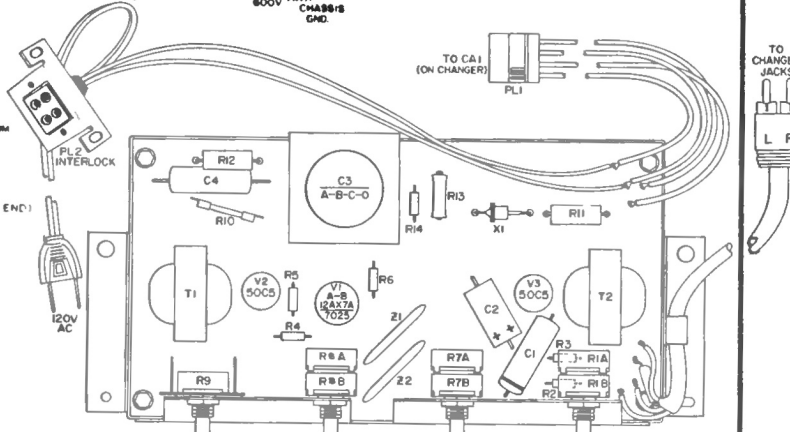


WESTINGHOUSE Chassis V-2522-1, -2, Models H-79ACS1B, H-79ACS2B, H-88ACS1
 Chassis V-2522-3, Models H-90ACS1, H-90ACS2, H-90ACS3,
 are similar to sets listed.



- NOTES
- 1 DC VOLTAGES MEASURED FROM CIRCUIT GROUND USING A VTVM, LOUDNESS CONTROL AT MINIMUM
 - 2 ALL CAPACITANCE VALUES ARE IN MFD. ALL RESISTANCE VALUES IN OHMS, 1/2 WATT UNLESS OTHERWISE SPECIFIED
 - 3 REAR SECTIONS OF CONTROLS ARE RIGHT CHANNEL.
 - 4 CHASSIS GROUND $\frac{1}{2}$ B - COMMON GROUND
 - 5 ARROWS ON CONTROLS INDICATE CLOCKWISE ROTATION (CONTROL VIEWED FROM SHAFT END)



Bottom View of PC Board Showing Top Components in Solid Outline.